



# ***AUTOMATED DEMAND SIDE MANAGEMENT***

***INITIATIVES FROM BESCOM***

***BESCOM has taken up a 5MW Automated Demand Side Management scheme, a pilot project to meet the peak demand in association with M/s. Innovari Technologies pvt. ltd and USAID through their Interactive Energy Platform (IEP).***

# What is ADSM ?

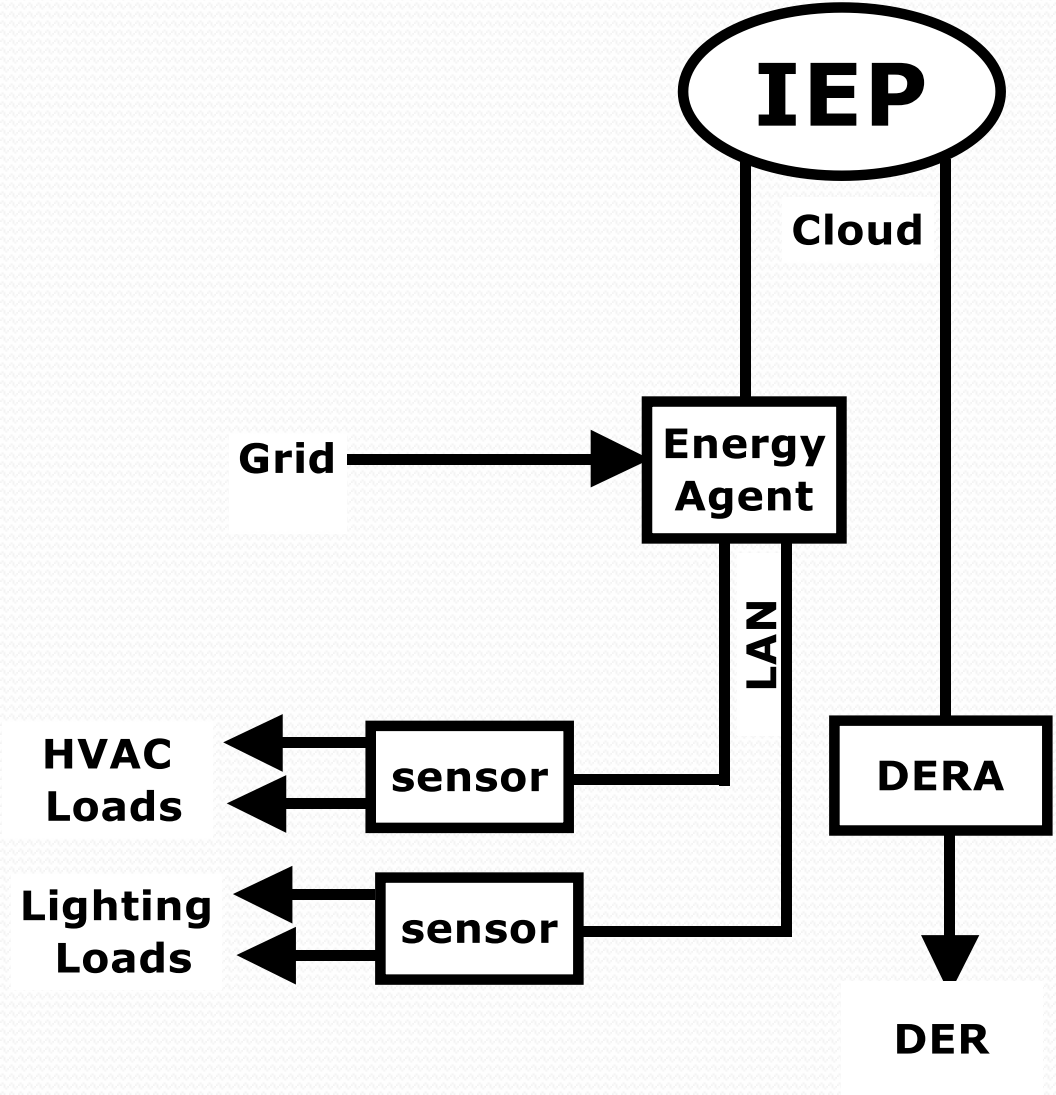
- ❑ ***Reduction of consumer load during peak without any compromise in consumer's comfort level.***
- ❑ ***This can be achieved by reducing demand of the agreed consumer's load for the short period.***
- ❑ ***VIRTUAL 5MW power plant***

# How ADSM Works?

- ***Identification and enrollment of Consumers***
- ***Site survey and engineering***
- ***Installation of Energy Agents/DER Agents***
- ***Scheduling the events in the utility portal***



# Schematic diagram of ADSM pilot project with DER



# RE balancing

- ***Monitoring of distributed Solar PV arrays and reporting generation output***
  
- ***Monitor Solar PV output and coordinate the operation of loads;***
  - ***Within a premise***
  - ***Across premises on the same feeder***
  - ***Across premises on group of feeders***

# Benefits to BESCOM

- ***Reduction in peak demand***
- ***Avoids high cost energy***
- ***Reduces Technical losses***
- ***Serve as a substitute for a peaking power plant***
- ***Optimize system assets***
- ***Reduction in carbon emission***
- ***Greening the grid***



# Benefits to Consumers

- *A Portal will be provided to consumer*
- *BMS for the consumer*
- *Reduction in Energy charges*
- *The consumer can also come out of the scheme, for a maximum number of mutually agreed times.*



***THANK YOU***